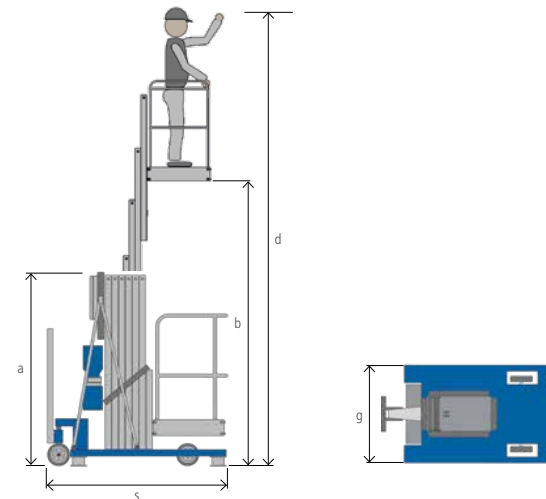
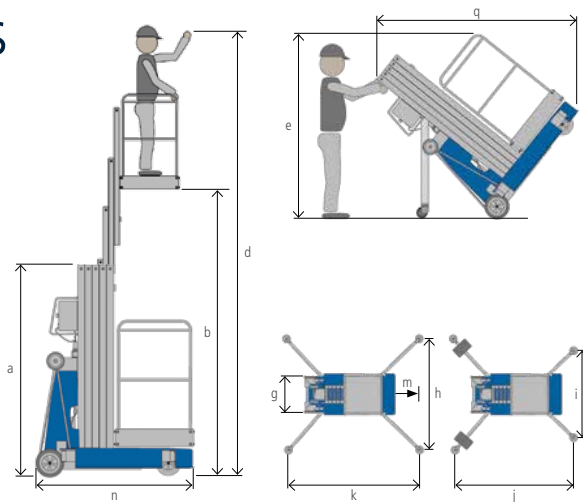


Technical specifications



Standard lift

Model		PHC 650	PHC 800	PHC 940	PHC 1100	PHC 1200	PH 1300	PH 1400
Working height [m]	d	6,50	8,00	9,45	10,85	12,00	12,75	14,00
Platform height [m]	b	4,50	6,00	7,45	8,85	10,00	10,75	12,00
Payload [kg]		140	140	140	140	135	135	115
Dimensions								
Overall height [m]	a	1,98	1,98	1,98	1,98	1,98	2,30	2,77
Width [m]	g	0,77	0,77	0,77	0,77	0,77	0,77	0,77
Length [m]	n	1,31	1,33	1,37	1,43	1,44	1,44	1,44
Length tilted [m]	q	–	–	–	–	–	2,40	2,85
Height tilted [m]	e	–	–	–	–	–	1,98	1,95
Footprint* indoors [m]	h x k	1,25 x 1,26	1,41 x 1,39	1,53 x 1,50	1,74 x 1,78	2,04 x 2,05	2,18 x 2,17	2,29 x 2,25
Footprint* indoors with ballast/counter weights [m]	h x k	–	1,25 x 1,26	1,25 x 1,26	1,41 x 1,49	1,61 x 1,67	1,81 x 1,85	2,04 x 2,05
Footprint* outdoors [m]	h x k	2,04 x 1,95	2,43 x 2,28	2,73 x 2,55	3,24 x 3,10	3,67 x 3,47	3,67 x 3,47	3,90 x 3,67
Footprint* outdoors in front of wall [m]	i x j	1,25 x 1,62	1,41 x 1,86	1,53 x 2,05	1,74 x 2,46	2,04 x 2,79	2,18 x 2,85	2,29 x 3,00
Wall clearance [mm]	m	90	100	90	210	340	400	450
Unladen weight without attachments [kg]		256	278	300	332	356	385	433
Unladen weight with attachments [kg]		293	318	342	376	408	390	437
Weight of ballast/counter weights [kg]		–	80	60	160	160	160	160
Extending speed approx. [sec]		28	26	21	26	26	35	40

Industrial lift

Model		PHC-HI 800	PHC-HI 940	PHC-HI 1100
Working height [m]	d	8,00	9,40	10,80
Platform height [m]	b	6,00	7,40	8,80
Payload [kg]		140	140	140
Dimensions				
Overall height [m]	a	1,98	1,98	1,98
Width [m]	g	0,79	0,79	0,89
Length [m]	s	1,61	1,61	1,67
Footprint indoors [m]	g x s	0,79 x 1,61	0,79 x 1,61	0,89 x 1,67
Wall clearance [mm]		0	0	0
Unladen weight [kg]		672	699	814
Extending speed approx. [sec]		26	21	26

* Measurements up to the centre of the support plate (diameter 14 cm)
Subject to modifications to construction, weight and dimensions